

MID TEMPERATURE RADIATION THERMOMETER IR-CZQW series



IR-CZQW

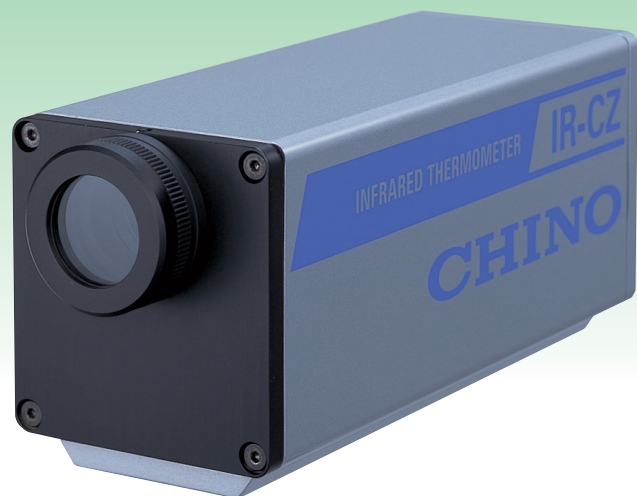
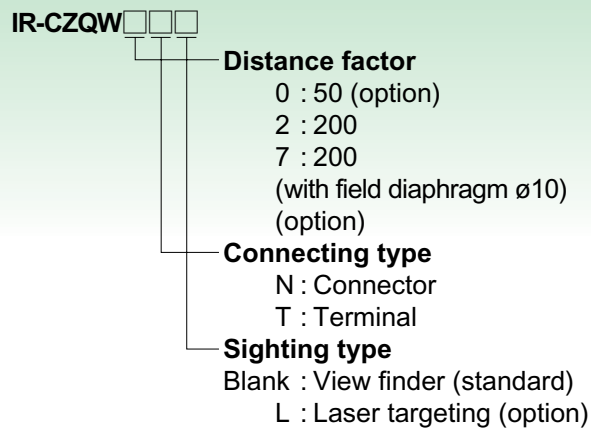
HIGH ACCURACY 2-COLOR TYPE RADIATION THERMOMETER FOR MID TEMPERATURE MEASUREMENT

2-Color measurement from 350 °C

Single color and 2-Color measurement of each 3 wavelengths are switchable.

Best for R&D purposes!

MODELS



IR-GZ series, the setting display unit is available for remote monitoring and remote setting.

IR-GZ

FEATURES

- Single color and 2-Color measurement of each 3 wavelengths are switchable.
- Response time is improved to correspond measuring value drastic change.
- It reduces the influence of optical path obstacle such as dirty window or inserted tube of furnace by 2-color ratio measurement.
- Small and light weight body detector/converter unit type with built-in digital temperature display and parameter setting function.

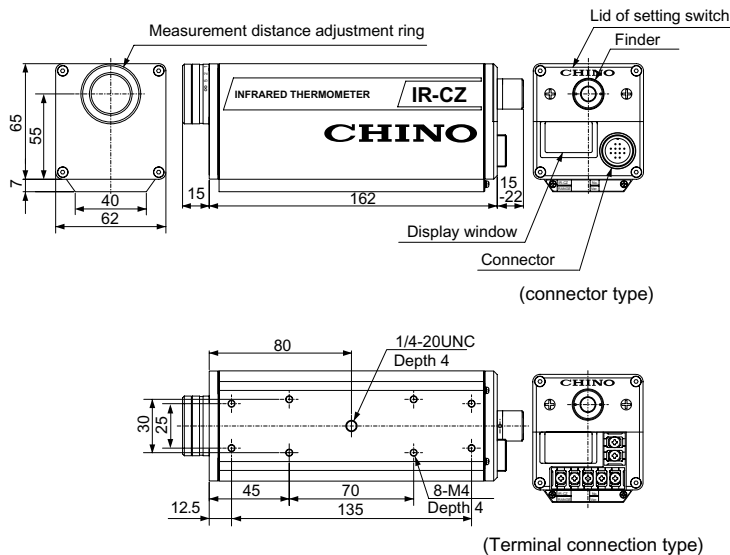
GENERAL SPECIFICATIONS

Distance factor (L/D)	Measuring range
50	350 to 2000°C
200	400 to 2000°C
Field diaphragm ϕ 10mm, 200	500 to 2000°C

GENERAL SPECIFICATIONS

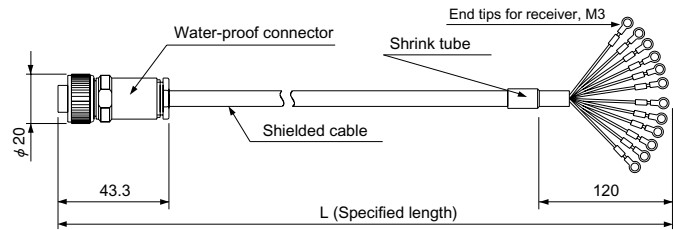
Models	IR-CZQW
Optics	Moveable focusing lens type
Element	Si / InGaAs / InGaAs
Measuring range	0.9 / 1.35 / 1.55 μ m
Accuracy rating	Lower than 1000°C... $\pm 5^\circ\text{C}$ 1000°C to lower than 1500°C... $\pm 0.5\%$ of measured value 1500°C to lower than 2500°C... $\pm 0.6\%$ of measured value
Response time	2 to 15ms
Effective diameter of lens	Field diaphragm ϕ 10mm, 200
Display	Temperature display LCD 4 digits, parameter display LCD 4 digits
Analog output	4 to 20mA DC (isolated output) Load resistance 850 Ω or/and lower
Communication interface	RS485 measured data transmission, and each parameter transmission/reception
Contact output (available at connector type only)	1 point, upper/lower alarm or error signal, photo coupler Maximum 30V DC, 50mA
Working temperature	-10 to 60°C
Power supply	24V DC (allowable voltage fluctuation range 22 to 28V DC)
Power consumption	Maximum 2.4VA
Connection	Exclusive connector : IR-CZQW□□□□ Terminal connection : IR-CZQW□□□□
Casing	Aluminum
Weight	0.8kg

EXTERNAL DIMENSIONS

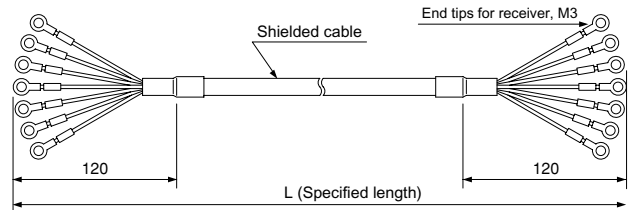


Unit: mm

Connecting cable (connector type): IR-ZZRC□□□□

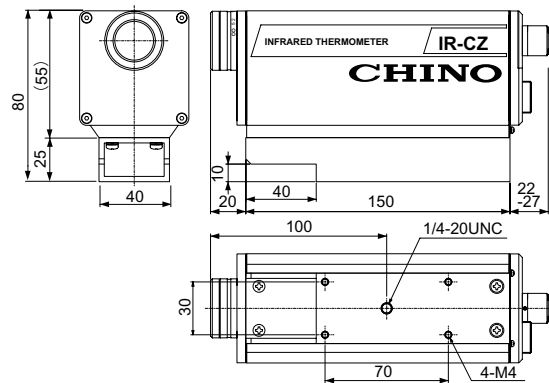


Connecting cable (terminal type): IR-ZCRT□□□□



L (Specified length)
002 : 2m
005 : 5m
010 : 10m
020 : 20m
100 : 100m

Compatible mounting fixture : IR-ZCZ S (for compatible installation to IR-CA series)



Specifications subject to change without notice. Printed in Japan (I) 2016. 11

CHINO CORPORATION

32-8 KUMANO-CHO, ITABASHI-KU, TOKYO 173-8632
Telephone : +81-3-3956-2171
Facsimile : +81-3-3956-0915
E-mail : inter@chino.co.jp
Website : www.chino.co.jp/